



www.pumps.com.tw

SV series

Non-Clogging Vortex Submersible Pumps Solid pass 27 ~ 40mm

Liquid temperature : 0 °C to 40 °C / +32 °F to +104 °F

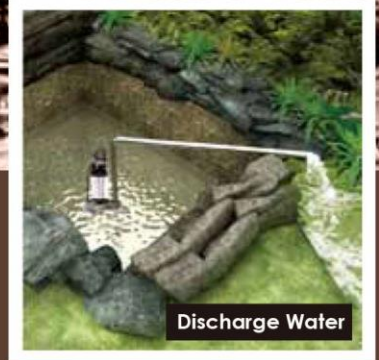
HP range : 1/5 to 2 HP / 150 W to 1500 W

pH : 6 to 8

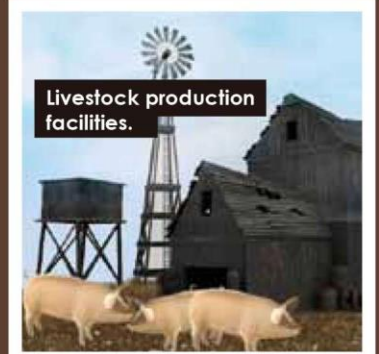
Protection class : IP68

Maximum immersion depth : 8M

Solid pass : 27~40mm



Discharge Water



Livestock production facilities.



Sprinkling



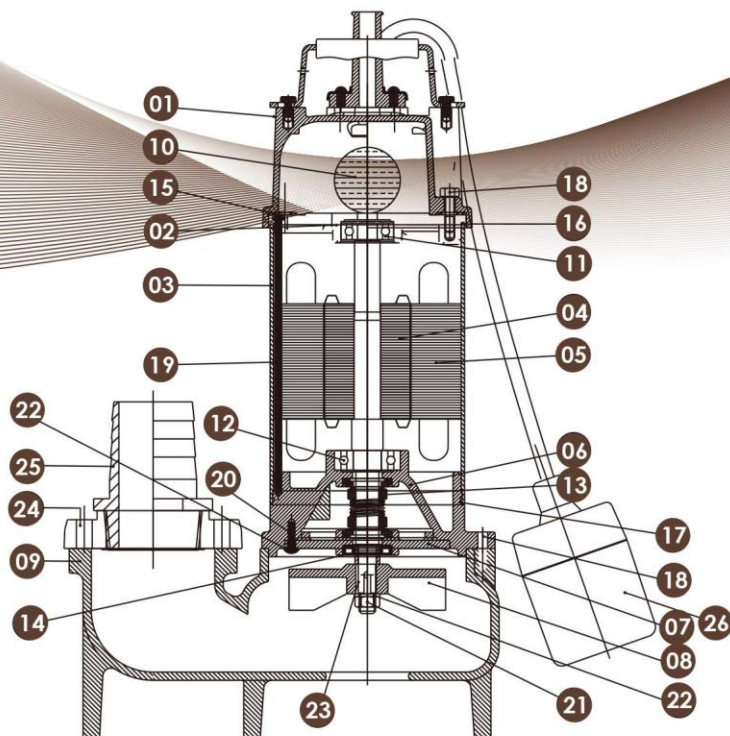
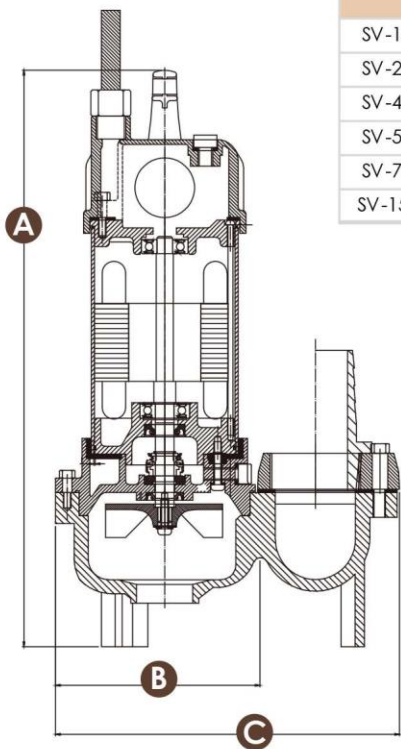
Sump pit

HUNG PUMP GROUP

Sewage Pumps

Nhà phân phối máy bơm APP-Taiwan chính hãng | Website: www.ntn-electric.com | Hotline: 0388871530

Dimension			
Model	A	B	C
	mm	mm	mm
SV-150	370	131	221
SV-250	370	135	221
SV-400	392	137	232
SV-550	441	152	282
SV-750	441	152	282
SV-1500	547	200	311

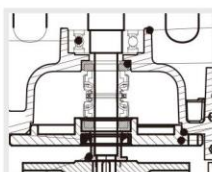
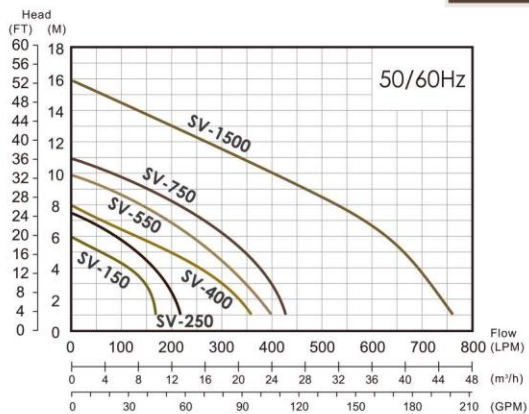


Flow Switch



Impeller Design

Construction					
No.	Description	Material	No.	Description	Material
1	Top Cover	NYLON+GF	14	Oil Seal	NBR
2	Upper Bearing Cover	FC200	15	Upper Packing	NBR
3	Motor Housing	SUS304	16	O-Ring	NBR
4	Rotor and Shaft	SUS410	17	O-Ring	NBR
5	Stator	Laminated Steel	18	Hex Screw	SUS304
6	Lowering Bearing Housing	FC200	19	Long Rod Screw	SUS304
7	Seal Plate	FC200	20	Big Cap Screw	SUS304
8	Impeller	FC200	21	Nut	SUS304
9	Pump Casing	FC200	22	Washer	SUS304
10	Capacitor		23	Key	NBR
11	Upper Bearing	CNM5K	24	Discharge Connection	ABS
12	Lower Bearing	CNM5K	25	Discharge Adapter	PP+GF
13	Mechanical Seal	CA/CE	26	Float Switch Ball	PP+GF



Oil chamber design to ensure Mech. Seal long service life.



Suspended impeller design, non-clogging.



PSC Motor Design & B class insulation.



Bottom Design

Specifications

Model No.	Output		Outlet		Solid Pass Dia(mm)	Max Flow (LPM)	LPM Flow @ Head					Max Head (M)	Dimension L x W x H(mm)	Weight Kg
	HP	W	mm	inch			1.5M	3M	4.5M	6M	7.5M			
SV-150	1/5	150	40	1-1/2"	27	170	168	150	90	-	-	6	221 x 131 x 370	8
SV-250	1/3	250	40	1-1/2"	27	220	215	190	150	90	-	7.5	221 x 135 x 370	9
SV-400	1/2	400	50	2"	35	360	350	300	230	130	30	8	232 x 137 x 392	11
							1.5M	3M	6M	9M	12M			
SV-550	3/4	550	80	3"	35	400	395	350	240	80	-	10	282 x 152 x 441	17
SV-750	1	750	80	3"	37	430	420	395	315	150	-	11	282 x 152 x 441	18
SV-1500	2	1500	80	3"	40	760	750	715	630	470	275	16	311 x 200 x 547	31